

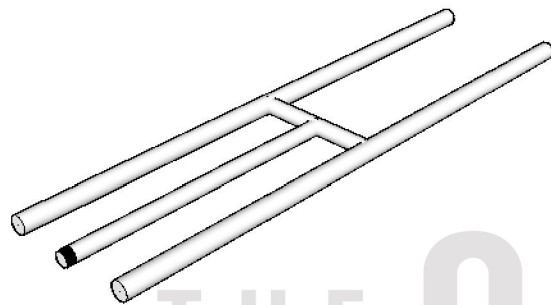
24" Fireplace H Burner

| | |
|-------------------------------------|-----------|
| Page Number | 1 of 1 |
| Author: Bryant Uribe | 9/28/2018 |
| Approved By: Gabriel Estrada | Date |

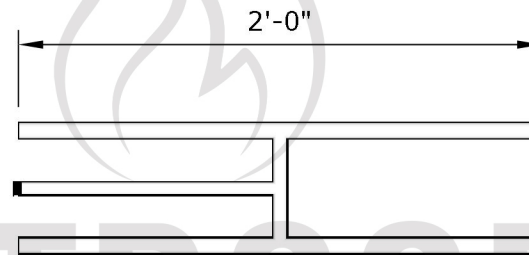
| SKU | Length, Width, Height (LxWxH) | Weight | Hub Size | BTU Output | Material |
|---------|-------------------------------|--------|----------|------------|-----------------|
| OPT-155 | 24" x 6" x 1" | 4 lbs. | ½" | 90,000 | Stainless Steel |



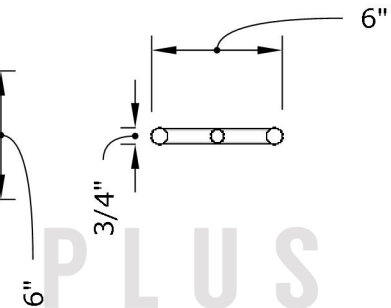
Proprietary & Confidential: The information contained in this drawing is the sole property of **The Outdoor Plus**. Any reproduction or as a whole without written permission of **The Outdoor Plus** is prohibited.



PERSPECTIVE



TOP



SIDE